

## PUMPS

PUMP#	VOLTS	GPM/PSI	STYLE	VALVES	DIAPHRAGM	LIST/EA
8000543236	12V	1.8/60	SWITCH	VITON	SANTOPRENE	236.75
8007543836	12V	1.8/60	SW/FUSE	VITON	SANTOPRENE	267.04
8006543250	12V	1.8/45	BYPASS	VITON	SANTOPRENE	234.90
8006591250	12V	.18/45	BYPASS	VITON	SANTOPRENE	236.35
8005233236	115V	1.4/60	SWITCH	EPDM	SANTOPRENE	324.66
8000933250	115V	1.4/45	BYPASS	EPDM	SANTOPRENE	324.66
2088343135	12V	3.0/45	SWITCH	VITON	SANTOPRENE	303.99
2088514144	12V	4.0/45	SWITCH	SANTO	SANTOPRENE	401.82
2088514500	12V	4.0/45	BYPASS	SANTO	SANTOPRENE	399.56
2088594154	115V	3.3/45	SWITCH	SANTO	SANTOPRENE	339.65
50591311D011	12V	5.3/60	SWITCH	VITON	SANTOPRENE	454.99
50593611D011	115V	5.3/60	BYPASS	VITON	SANTOPRENE	454.99
DHP2	12V	7.0/45	SWITCH	VITON	SANTOPRENE	753.00

8000  
SERIES

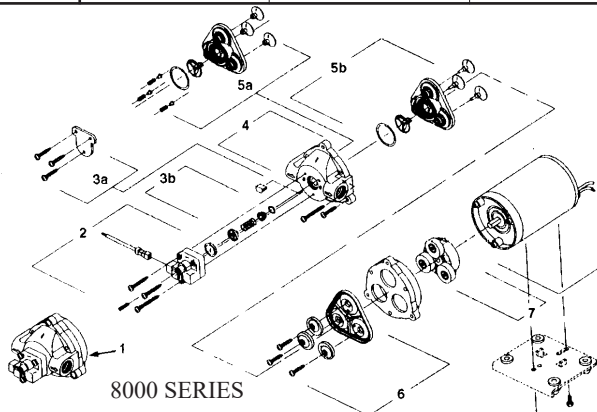


2088  
SERIES

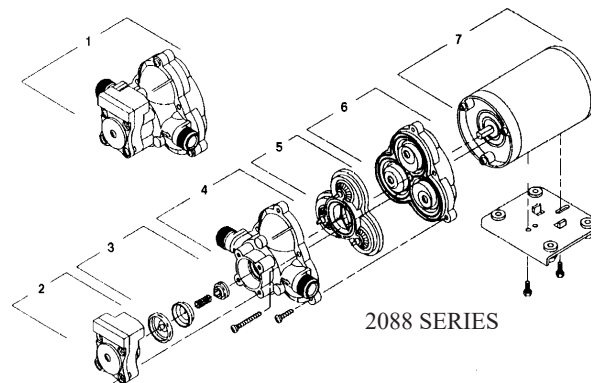


## REPLACEMENT PARTS

PUMP#	SWITCH KIT(2)		CHECK VALVE(3)		HOUSING(4)		VALVES-VITON(5)		VALVES-EPDM(5)		DIAPHRAGM(6)	
	PART#	LIST	PART#	LIST	PART#	LIST	PART#	LIST	PART#	LIST	PART#	LIST
8000543236	9437505	67.50	9437405	24.51	9437900	41.35	9439005	81.17	9439006	39.68	9439506	40.91
8007543236	9437505	67.50	9437405	24.51	9437900	41.35	9439005	81.17	9439006	39.68	9439506	40.91
8005233236	9437505	67.50	9437405	24.51	9437900	41.35	9439005	81.17	9439006	39.68	9439506	40.91
8006543250			9437405	24.51	9437900	41.35	9439109	101.61	9439106	48.28	9439506	40.91
8006591250			9437405	24.51	9437900	41.35	9439109	101.61	9439106	48.28	9439506	40.91
8000933250			9437405	24.51	9437900	41.35	9439109	101.61	9439106	48.28	9439506	40.91
2088343135	9423055	66.13	9423705	48.19	9423130	31.25	9423205	106.39			9423803	73.05
2088514144	9423055	66.13	9423705	48.19	9423130	31.25	9423205	106.39			9423803	73.05
2088594154	9423055	66.13	9423705	48.19	9423130	31.25	9423205	106.39			9423803	73.05
2088514500			9423705	48.19	9423130	31.25	9423205	106.39			9423803	73.05



8000 SERIES



2088 SERIES



### SWIVEL-STRAIGHT

HB	Part #	List
3/8	807100	2.42
1/2	807000	2.29
5/8	815401	4.46
3/4	815601	2.77

### SWIVEL-ELBOW

HB	Part #	List
3/8	806000	2.29
1/2	803400	2.29
5/8	815501	3.79
3/4	815701	2.77



**GAUGES  
1/4" LM  
BRASS  
INTERNALS**

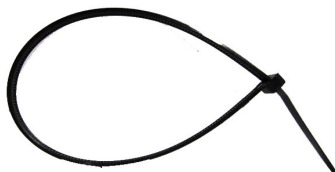
<i>Psi</i>	<i>Size</i>	<i>Dry #</i>	<i>List/E</i>	<i>Liq #</i>	<i>List/E</i>	<i>NH3#</i>	<i>List/E</i>
0-15	2 1/2	SG15	10.72	GG15	29.30		
0-30	2 1/2	SG30	10.72	GG30	29.30		
0-60	2 1/2	SG60	10.72	GG60	29.30	AG60	28.41
0-100	2 1/2	SG100	10.72	GG100	29.30		
0-160	2 1/2	SG160	10.72	GG160	29.30	AG160	28.41
0-200	2 1/2	SG200	10.72	GG200	29.30		
0-300	2 1/2	SG300	10.72	GG300	29.30		
0-400	2 1/2	SG400	10.72	GG400	29.30	AG400	28.41
0-600	2 1/2	SG600	10.72	GG600	29.30		
0-1000	2 1/2	SG1000	10.72	GG1000	29.30		
0-2000	2 1/2	SG2000	10.72	GG2000	29.30		
0-3000	2 1/2	SG3000	10.72	GG3000	29.30		
0-5000	2 1/2	SG5000	10.72	GG5000	29.30		
0-60	4	SG604	23.53	GG604	92.38		
0-100	4	SG1004	23.53	GG1004	92.38		
0-200	4	SG2004	23.53	GG2004	92.38		
Pigtail Protector		PGP	46.55				



**BULKHEAD FITTINGS**

<i>Fpt</i>	<i>Hole</i>	<i>Part#</i>	<i>List/E</i>	<i>Gasket</i>	<i>List/E</i>
1/2	1 3/8	BF8	15.57	BF8G	4.53
3/4	1 3/8	BF12	15.57	BF8G	4.53
1	1 3/4	BF16	20.27	BF16G	5.65
1 1/4	2	BF20	21.34	BF20G	6.44
1 1/2	3	BF24	30.44	BF24G	13.37
2	3	BF32	29.31	BF24G	13.37
3	4 1/2	BF48	74.52	BF48G	15.65

20% GLASS FILLED POLYPROPYLENE WITH SANTROPENE GASKET



**NYLON  
TIE STRAPS  
BLACK UV  
RESISTANT**

<i>Length</i>	<i>Width</i>	<i>Part#</i>	<i>List/E</i>
3 3/4	.090	NS4BUV	.08
6	.135	NS6BUV	.09
8 1/4	.135	NS8BUV	.15
11 1/4	.190	NS12BUV	.40
14 1/4	.190	NS14BUV	.81
17 1/2	.310	NS17BUV	1.17
21 1/2	.310	NS21BUV	1.35
28	.310	NS28BUV	1.62
36 1/2	.360	NS36BUV	2.00



**EZT024**

<i>Desc</i>	<i>Part#</i>	<i>List/E</i>
16 Gal	EZT016	407.25
24 Gal	EZT024	432.60

16 & 24 Gallon tank designed for ATV's  
Wrap-around design allows for a low CG  
Complete drainage from twin sumps  
Easy mounting & dismounting of sprayer  
because controls and booms are mounted to tank,  
not ATV rack



**WORM DRIVE  
CLAMPS**  
(All St Steel)



**T-BOLT  
CLAMPS**  
(St. Steel  
Band & Bolt)



**PLASTIC  
CLAMPS**  
-Black Nylon  
-Double Teeth

Max"	Min"	Part#		Max"	Min"	Part#		Max"	Min"	Part#									
5/8	7/32	SSC4	1.41	1.87	1.62	TSSC20	14.22	.276	.220	SCA	.59								
11/16	7/16	SSC5	1.40	2.06	1.81	TSSC24	13.03	.323	.256	SCAA	.59								
7/8	5/16	SSC6	1.40	2.18	1.93	TSSC24A	13.95	.433	.358	SCBB	.60								
1	7/16	SSC8	1.96	2.50	2.18	TSSC32	13.03	.500	.413	SCC	.62								
1 1/4	9/16	SSC12-N	2.27	2.62	2.31	TSSC32A	13.39	.583	.480	SCD	.64								
NOTE: Above have 5/16" band				2.81	2.50	TSSC32B	13.03	.646	.524	SCE	.76								
				3.18	2.87	TSSC32C	13.03	.717	.594	SCF	.76								
				3.62	3.31	TSSC48	13.03	.795	.673	SCG	.77								
1	7/16	SSC8-HD	1.77	3.75	3.43	TSSC48A	13.03	.870	.732	SCH	.78								
1 1/4	9/16	SSC12	1.96	4.56	4.25	TSSC64	20.23	.949	.803	SCJ	.84								
1 1/2	11/16	SSC16	2.04	4.76	4.38	TSSC64A	33.68	1.031	.886	SCK	1.05								
1 3/4	3/4	SSC20	2.11	4.94	4.56	TSSC64B	33.68	1.130	.976	SCL	.94								
2	1 1/16	SSC24	2.26	<div style="border: 1px solid black; padding: 5px; width: fit-content; margin: 0 auto;"> <p>MEASURE <u>OUTSIDE</u> <u>DIAMETER</u> OF HOSE FOR PROPER CLAMP SIZE</p> </div>								1.220	1.055	SCM	.94				
2 1/4	1 5/16	SSC28	2.29									1.437	1.283	SCP	1.68				
2 1/2	1 9/16	SSC32	2.43									1.551	1.382	SCQ	1.70				
2 3/4	1 13/16	SSC36	2.53																
3	2 1/6	SSC40	3.40																
3 1/2	2 9/16	SSC48	3.57																
4 1/2	2 1/2	SSC64	4.32																
NOTE: Above have 1/2" band																			
5	3	SSC72	4.62																
5 1/2	3 1/2	SSC80	4.78																

CLAMPS / STRAPS

EVA TUBING				CLEAR VINYL TUBING (CVTB=Braided)				EPDM RUBBER HOSE			
Id	Ft/Roll	Part#	List/	Id	Ft/Roll	Part#	List/	Id	Ft/Roll	Part#	List/
1/4	1000	EVA44	.86	1/4	100	CVT44	1.00	1/4	700	SB44	1.45
3/8	500	EVA66	1.10	3/8	100	CVT66	1.22	3/8	700	SB66	1.36
1/2	300	EVA88	1.35	1/2	100	CVT88	1.52	1/2	700	SB88	2.00
5/8	200	EVA1010	1.73	5/8	100	CVT1010	1.83	3/4	700	SB1212	3.00
3/4	200	EVA1212	1.91	3/4	100	CVT1212	2.13				
1	125	EVA1616	2.84	1	100	CVT1616	2.74	SB-Single Braid-150 PSI Rating			
NOTE: All have 1/8" wall thickness				1/4	300	CVTB44	1.11	3/8	700	TB66	1.72
3/8	300	EVAR6	1.93	3/8	300	CVTB66	1.48	1/2	700	TB88	2.45
1/2	300	EVAR8	2.41	1/2	300	CVTB88	1.71	5/8	700	TB1010	3.00
3/4	200	EVAR12	3.36	5/8	300	CVTB1010	2.25	3/4	700	TB1212	3.40
1	200	EVAR16	6.08	3/4	300	CVTB1212	3.31	TB-Double Braid-300 PSI Rating			
Reinforced EVA				1	200	CVTB1616	4.69				

SEALANTS								
Teflon Tape	Part#	List/E	Liq Tef	Part#	List/E	Rectorseal	Part#	List/E
1/4 X 520	1452	1.59	2oz	LT2	12.25	8oz	RSTB	46.43
1/2 X 260	1226	1.42	4oz	LT4	23.25	2oz	RSTB-2	15.22
1/2 X 520	1252	1.85	8oz	LT8	40.50	8oz	RS-21	49.07
3/4 X 520	3452	2.84						