

## PUMPS

PUMP#	VOLTS	GPM/PSI	STYLE	VALVES	DIAPHRAGM	LIST/EA
8000543236	12V	1.8/60	SWITCH	VITON	SANTOPRENE	289.59
8007543836	12V	1.8/60	SW/FUSE	VITON	SANTOPRENE	326.60
8006543250	12V	1.8/45	BYPASS	VITON	SANTOPRENE	287.27
8006591250	12V	.18/45	BYPASS	VITON	SANTOPRENE	289.04
8005233236	115V	1.4/60	SWITCH	EPDM	SANTOPRENE	397.08
8000933250	115V	1.4/45	BYPASS	EPDM	SANTOPRENE	397.08
2088343135	12V	3.0/45	SWITCH	VITON	SANTOPRENE	371.67
2088514144	12V	4.0/45	SWITCH	SANTO	SANTOPRENE	521.25
2088514500	12V	4.0/45	BYPASS	SANTO	SANTOPRENE	488.52
2088594154	115V	3.3/45	SWITCH	SANTO	SANTOPRENE	415.34
50591311D011	12V	5.3/60	SWITCH	VITON	SANTOPRENE	556.46
50593611D011	12V	5.3/60	BYPASS	VITON	SANTOPRENE	556.46
DHP2	12V	7.0/45	SWITCH	VITON	SANTOPRENE	935.37

8000  
SERIES

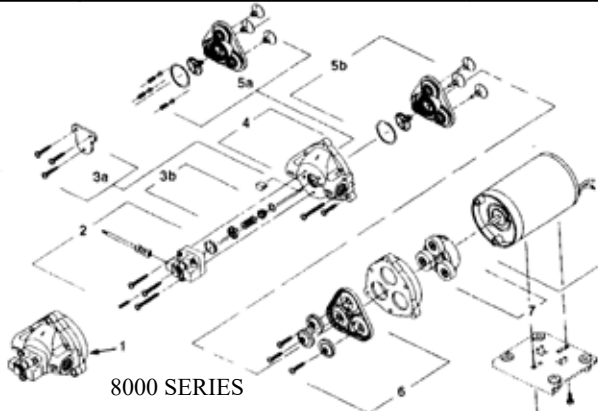


2088  
SERIES

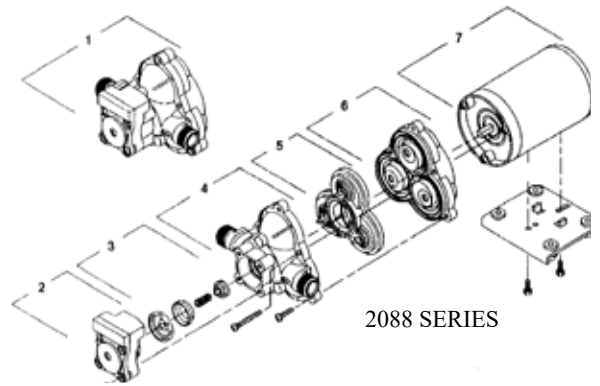


## REPLACEMENT PARTS

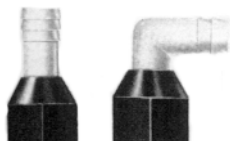
PUMP#	SWITCH KIT(2)		CHECK VALVE(3)		HOUSING(4)		VALVES-VITON(5)		VALVES-EPDM(5)		DIAPHRAGM(6)	
	PART#	LIST	PART#	LIST	PART#	LIST	PART#	LIST	PART#	LIST	PART#	LIST
8000543236	9437505	82.58	9437405	29.96	9437900	50.64	9439005	99.27	9439006	48.47	9439506	50.00
8007543236	9437505	82.58	9437405	29.96	9437900	50.64	9439005	99.27	9439006	48.47	9439506	50.00
8005233236	9437505	82.58	9437405	29.96	9437900	50.64	9439005	99.27	9439006	48.47	9439506	50.00
8006543250			9437405	29.96	9437900	50.64	9439109	124.28	9439106	59.04	9439506	50.00
8006591250			9437405	29.96	9437900	50.64	9439109	124.28	9439106	59.04	9439506	50.00
8000933250			9437405	29.96	9437900	50.64	9439109	124.28	9439106	59.04	9439506	50.00
2088343135	9423055	80.85	9423705	58.93	9423130	38.19	9423205	130.12			9423803	89.33
2088514144	9423055	80.85	9423705	58.93	9423130	38.19	9423205	130.12			9423803	89.33
2088594154	9423055	80.85	9423705	58.93	9423130	38.19	9423205	130.12			9423803	89.33
2088514500			9423705	58.93	9423130	38.19	9423205	130.12			9423803	89.33



8000 SERIES



2088 SERIES



### SWIVEL-STRAIGHT

HB	Part #	List
3/8	807100	2.96
1/2	807000	2.76
5/8	815401	5.73
3/4	815601	3.39

### SWIVEL-ELBOW

HB	Part #	List
3/8	806000	2.76
1/2	803400	2.76
5/8	815501	4.88
3/4	815701	3.39



**GAUGES  
1/4" LM  
BRASS  
INTERNALS**

<i>Psi</i>	<i>Size</i>	<i>Dry #</i>	<i>List/E</i>	<i>Liq #</i>	<i>List/E</i>	<i>NH3#</i>	<i>List/E</i>
0-15	2 1/2	SG15	15.44	GG15	39.38		
0-30	2 1/2	SG30	15.44	GG30	39.38		
0-60	2 1/2	SG60	15.44	GG60	39.38	AG60	39.20
0-100	2 1/2	SG100	15.44	GG100	39.38		
0-160	2 1/2	SG160	15.44	GG160	39.38	AG160	39.20
0-200	2 1/2	SG200	15.44	GG200	39.38		
0-300	2 1/2	SG300	15.44	GG300	39.38		
0-400	2 1/2	SG400	15.44	GG400	39.38	AG400	39.20
0-600	2 1/2	SG600	15.44	GG600	39.38		
0-1000	2 1/2	SG1000	15.44	GG1000	39.38		
0-2000	2 1/2	SG2000	15.44	GG2000	39.38		
0-3000	2 1/2	SG3000	15.44	GG3000	39.38		
0-5000	2 1/2	SG5000	15.44	GG5000	39.38		
0-60	4	SG604	30.14	GG604	122.50		
0-100	4	SG1004	30.14	GG1004	122.50		
0-200	4	SG2004	30.14	GG2004	122.50		
Pigtail Protector		PGP	53.24				



**BULKHEAD FITTINGS**

<i>Fpt</i>	<i>Hole</i>	<i>Part#</i>	<i>List/E</i>	<i>Gasket</i>	<i>List/E</i>
1/2	1 3/8	BF8	20.24	BF8G	5.89
3/4	1 3/8	BF12	20.24	BF8G	5.89
1	1 3/4	BF16	26.35	BF16G	7.35
1 1/4	2	BF20	27.74	BF20G	8.37
1 1/2	3	BF24	39.57	BF24G	17.38
2	3	BF32	38.10	BF24G	17.38
3	4 1/2	BF48	90.59	BF48G	19.63

Replacement Gaskets

20% GLASS FILLED POLYPROPYLENE WITH SANTROPENE GASKET



**NYLON  
TIE STRAPS  
BLACK UV  
RESISTANT**

<i>Length</i>	<i>Width</i>	<i>Part#</i>	<i>List/E</i>
3 3/4	.090	NS4BUV	.10
6	.135	NS6BUV	.11
8 1/4	.135	NS8BUV	.19
11 1/4	.190	NS12BUV	.53
14 1/4	.190	NS14BUV	1.07
17 1/2	.310	NS17BUV	1.49
21 1/2	.310	NS21BUV	1.71
28	.310	NS28BUV	2.05
36 1/2	.360	NS36BUV	2.53



**EZT024**

<i>Desc</i>	<i>Part#</i>	<i>List/E</i>
16 Gal	EZT016	CALL
24 Gal	EZT024	CALL

16 & 24 Gallon tank designed for ATV's  
Wrap-around design allows for a low CG  
Complete drainage from twin sumps  
Easy mounting & dismounting of sprayer  
because controls and booms are mounted to tank,  
not ATV rack



**WORM DRIVE  
CLAMPS**  
(All St Steel)



**T-BOLT  
CLAMPS**  
(St. Steel  
Band & Bolt)



**PLASTIC  
CLAMPS**  
-Black Nylon  
-Double Teeth

Max"	Min"	Part#	List/E	Max"	Min"	Part#	List/E	Max"	Min"	Part#	List/E								
5/8	7/32	SSC4	2.08	1.87	1.62	TSSC20	15.65	.276	.220	SCA	.65								
11/16	7/16	SSC5	2.06	2.06	1.81	TSSC24	14.38	.323	.256	SCAA	.65								
7/8	5/16	SSC6	2.06	2.18	1.93	TSSC24A	15.37	.433	.358	SCBB	.72								
1	7/16	SSC8	2.89	2.50	2.18	TSSC32	14.38	.500	.413	SCC	.74								
NOTE: Above have 5/16" band				2.62	2.31	TSSC32A	14.38	.583	.480	SCD	.76								
				2.81	2.50	TSSC32B	14.38	.646	.524	SCE	.89								
				3.18	2.87	TSSC32C	14.38	.717	.594	SCF	.89								
				3.62	3.31	TSSC48	14.38	.795	.673	SCG	.85								
				3.75	3.43	TSSC48A	14.38	.870	.732	SCH	.86								
1	7/16	SSC8-HD	2.60	4.56	4.25	TSSC64	22.29	.949	.803	SCJ	.92								
1 1/4	9/16	SSC12	2.89	4.76	4.38	TSSC64A	37.13	1.031	.886	SCK	1.21								
1 1/2	11/16	SSC16	3.00	4.94	4.56	TSSC64B	37.13	1.130	.976	SCL	1.13								
1 3/4	3/4	SSC20	3.10	<b>MEASURE OUTSIDE DIAMETER OF HOSE FOR PROPER CLAMP SIZE</b>								1.220	1.055	SCM	1.09				
2	1 1/16	SSC24	3.33									1.437	1.283	SCP	1.85				
2 1/4	1 5/16	SSC28	3.36									1.551	1.382	SCQ	2.05				
2 1/2	1 9/16	SSC32	3.58																
2 3/4	1 13/16	SSC36	3.73																
3	2 1/6	SSC40	3.94																
3 1/2	2 9/16	SSC48	5.25																
4 1/2	2 1/2	SSC64	6.36																
NOTE: Above have 1/2" band																			
5	3	SSC72	5.39																
5 1/2	3 1/2	SSC80	7.04																

CLAMPS / STRAPS

EVA TUBING				CLEAR VINYL TUBING (CVTB=Braided)				EPDM RUBBER HOSE			
Id	Ft/Roll	Part#	List/Ft	Id	Ft/Roll	Part#	List/Ft	Id	Ft/Roll	Part#	List/Ft
1/4	1000	EVA44	1.06	1/4	100	CVT44	CALL	1/4	700	SB44	1.55
3/8	500	EVA66	1.35	3/8	100	CVT66	CALL	3/8	700	SB66	1.46
1/2	300	EVA88	1.68	1/2	100	CVT88	CALL	1/2	700	SB88	2.14
5/8	200	EVA1010	2.10	5/8	100	CVT1010	CALL	SB-Single Braid-150 PSI Rating			
3/4	200	EVA1212	2.32	3/4	100	CVT1212	CALL				
1	125	EVA1616	3.52	1	100	CVT1616	CALL	3/4	700	SB1212	3.21
NOTE: All have 1/8" wall thickness				1/4	300	CVTB44	1.36	3/8	700	TB66	2.09
3/8	300	EVAR6	CALL	3/8	300	CVTB66	1.83	1/2	700	TB88	3.16
1/2	300	EVAR8	CALL	1/2	300	CVTB88	2.11	5/8	700	TB1010	4.23
3/4	200	EVAR12	CALL	5/8	300	CVTB1010		3/4	700	TB1212	4.22
1	200	EVAR16	7.70	3/4	300	CVTB1212	4.08	TB-Double Braid-300 PSI Rating			
Reinforced EVA				1	200	CVTB1616	5.78				

SEALANTS								
Teflon Tape	Part#	List/E	Liq Tef	Part#	List/E	Rectorseal	Part#	List/E
1/4 X 520	1452	1.86	2oz	LT2	13.50	8oz	RSTB	54.90
1/2 X 260	1226	1.65	4oz	LT4	25.63	2oz	RSTB-2	17.99
1/2 X 520	1252	2.16	8oz	LT8	44.66	8oz	RS-21	57.99
3/4 X 520	3452	3.31						