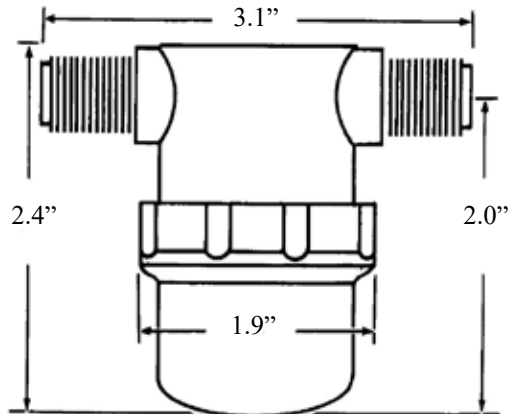


LOW PROFILE



FILTER AREA - 3.95 SQ IN

HOW TO ORDER

| | | | |
|-----------|---------------------|----------------------|--------------------|
| 1. TOP | MPT(RVM) 1/4(44) | FPT(RVLF) 3/8(66) | HB(RVB) 1/2(88) |
| | POLY(P) | | NYLON(N) |
| 2. GASKET | EPDM(E) | VITON(V) | BUNA(B) |
| 3. SCREEN | 20M(20) | 40M(40) | 80M(80) |
| 4. BOWL | POLY(P) | NYLON(N) | CLEAR(C) |

EXAMPLE: RVM 44 P E 40 P

POLYPRO (L.P. Standard Assy)

ListEA
\$ 10.94

1. POLY TOP (RVM)
2. EPDM OR BUNA GASKET (RVM44GB OR E)
3. 20,40, OR 80 MESH SCREEN (RVM44 _)
4. CLEAR BOWL (RVM44BC)

OPTIONS

- | | |
|------------------------------------|----------|
| 1. FEMALE TOPS (RVLF) | add 1.28 |
| 1. BARB TOP (RVB) | add .72 |
| 2. VITON GASKET (RVM44GV) | add 1.45 |
| 3. 20, 40, OR 80 MESH CAGED SCREEN | add .82 |
| 3. 250 MESH CAGED SCREEN | add 1.74 |
| 4. POLY BOWL (RVM44BP) | add .32 |

NYLON (L.P. Standard Assy)

ListEA
\$ 10.94

1. NYLON TOP (RVM)
2. EPDM OR BUNA GASKET (RVM44GB OR E)
3. 20,40, OR 80 MESH SCREEN (RVM44 _)
4. CLEAR BOWL (RVM44BC)

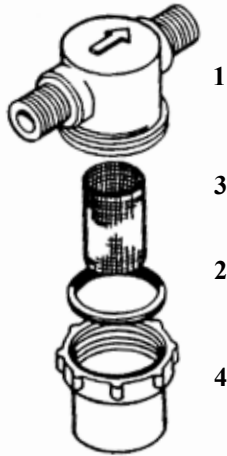
OPTIONS

- | | |
|------------------------------------|----------|
| 1. FEMALE TOPS (RVLF) | add 3.13 |
| 1. BARB TOP (RVB) | add .72 |
| 2. VITON GASKET (RVM44GV) | add 1.45 |
| 3. 20, 40, OR 80 MESH CAGED SCREEN | add .82 |
| 3. 250 MESH CAGED SCREEN | add 1.74 |
| 4. NYLON BOWL (RVM44BN) | add 1.55 |

CAGED SCREENS (MESH)



LOW PROFILE STRAINER PARTS

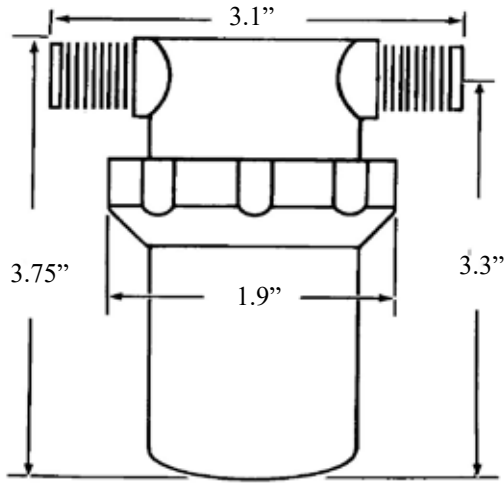


| COMPONENT(1) | SIZE/PORT | NYLON # | LIST/EA | POLYPRO # | LIST/EA | |
|--------------|----------------|----------|---------|------------|-----------|---------|
| TOP | 1/8" MPT | RVM22TN | 4.47 | RVM22TP | 4.47 | |
| TOP | 1/4" MPT | RVM44TN | 4.47 | RVM44TP | 4.47 | |
| TOP | 3/8" MPT | RVM66TN | 4.47 | RVM66TP | 4.47 | |
| TOP | 1/2" MPT | RVM88TN | 4.47 | RVM88TP | 4.47 | |
| TOP | 1/4" HB | RVB44TN | 5.19 | RVB44TP | 5.19 | |
| TOP | 3/8" HB | RVB66TN | 5.19 | RVB66TP | 5.19 | |
| TOP | 1/2" HB | RVB88TN | 5.19 | RVB88TP | 5.19 | |
| TOP | 1/8" FPT | RVLF22TN | 7.60 | RVLF22TP | 5.75 | |
| TOP | 1/4" FPT | RVLF44TN | 7.60 | RVLF44TP | 5.75 | |
| TOP | 3/8" FPT | RVLF66TN | 7.60 | RVLF66TP | 5.75 | |
| TOP | 1/2" FPT | RVLF88TN | 7.60 | RVLF88TP | 5.75 | |
| COMPONENT(2) | MATERIAL | TEMP MIN | COLOR | PART # | LIST/EA | |
| GASKET | BUNA | 0 F | BLACK | RVM44GB | .50 | |
| GASKET | EPDM | -40 F | RED | RVM44GE | .50 | |
| GASKET | VITON | 10 F | GREEN | RVM44GV | 1.95 | |
| COMPONENT(3) | MATERIAL | MESH* | MICRON+ | ID" x L" | PART # | LIST/EA |
| SCREEN | ST STEEL | 20 | 915 | .94 x 1.34 | RVM4420 | 2.11 |
| SCREEN | ST STEEL CAGED | 20 | 915 | " | RVM4420C | 2.93 |
| SCREEN | ST STEEL | 40 | 480 | " | RVM4440 | 2.11 |
| SCREEN | ST STEEL CAGED | 40 | 480 | " | RVM4440C | 2.93 |
| SCREEN | ST STEEL | 80 | 178 | " | RVM4480 | 2.11 |
| SCREEN | ST STEEL CAGED | 80 | 178 | " | RVM4480C | 2.93 |
| SCREEN | ST STEEL | 100 | 80 | " | RVM44100 | 5.55 |
| SCREEN | ST STEEL | 250 | 40 | " | RVM44250 | 5.60 |
| SCREEN | ST STEEL CAGED | 250 | 40 | " | RVM44250C | 3.85 |
| SCREEN | POLYETH | 90 | | | RVM4490PE | 3.75 |
| COMPONENT(4) | MATERIAL | PART # | LIST/EA | | | |
| BOWL | NYLON | RVM44BN | 5.40 | | | |
| BOWL | POLYPRO | RVM44BP | 4.17 | | | |
| BOWL | CLEAR NYLON | RVM44BC | 3.86 | | | |

*Mesh is defined as the number of wires per linear inch measured from center of wire to center of wire.

+Micron is defined as one thousandth of a millimeter.

MINI STRAINER



FILTER AREA - 7.71 SQ IN

HOW TO ORDER

| | | | |
|---------------------------|----------------------|-----------------------|---------------------|
| 1. TOP | MPT(RVM) 1/4(445) | FPT(RVLF) 3/8(665) | HB(RVB) 1/2(885) |
| | POLY(P) NYLON(N) | | |
| 2. GASKET | EPDM(E) | VITON(V) | BUNA(B) |
| 3. SCREEN | 20M(20) | 40M(40) | 80M(80) |
| 4. BOWL | POLY(P) | NYLON(N) | CLEAR(C) |
| EXAMPLE: RVM 445 P E 40 P | | | |

POLYPRO (Standard Assy)

ListEA
\$ 15.67

1. POLY TOP (RVM)
2. EPDM OR BUNA GASKET (RVM44GB OR E)
3. 20 OR 40 MESH SCREEN (RVM445 __)
4. CLEAR BOWL (RVM445BC)

OPTIONS

- | | |
|-----------------------------------|----------|
| 1. FEMALE TOPS (RVLF) | add 1.28 |
| 1. BARB TOP (RVB) | add .72 |
| 2. VITON GASKET (RVM44GV) | add 1.45 |
| 3. 80 MESH STAINLESS SCREEN | add .57 |
| 3. 20,40, OR 80 MESH CAGED SCREEN | add .42 |
| 3. 250 MESH CAGED SCREEN | add 1.59 |
| 4. POLY BOWL (RVM445BP) | add .99 |

NYLON (Standard Assy)

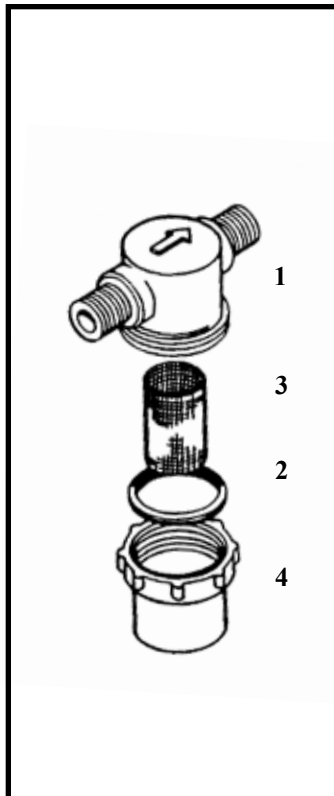
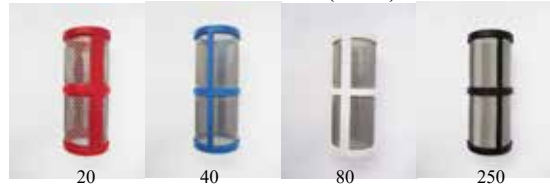
ListEA
\$ 15.67

1. NYLON TOP (RVM)
2. EPDM OR BUNA GASKET (RVM44GB OR E)
3. 20 OR 40 MESH SCREEN (RVM445 __)
4. CLEAR BOWL (RVM445BC)

OPTIONS

- | | |
|-----------------------------------|----------|
| 1. FEMALE TOPS (RVLF) | add 3.13 |
| 1. BARB TOP (RVB) | add .72 |
| 2. VITON GASKET (RVM44GV) | add 1.45 |
| 3. 80 MESH STAINLESS SCREEN | add .57 |
| 3. 20,40, OR 80 MESH CAGED SCREEN | add .42 |
| 3. 250 MESH CAGED SCREEN | add 1.59 |
| 4. NYLON BOWL (RVM445BN) | add 1.34 |

CAGED SCREENS (MESH)



MINI STRAINER PARTS

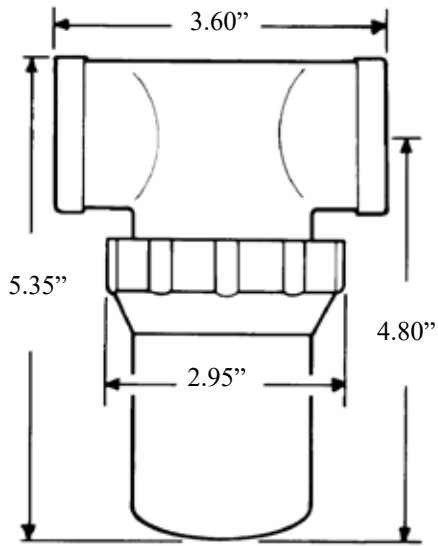
| COMPONENT(1) | SIZE/PORT | NYLON # | LIST/EA | POLYPRO # | LIST/EA | |
|--------------|----------------|----------|---------|------------|------------|---------|
| TOP | 1/8" MPT | RVM22TN | 4.47 | RVM22TP | 4.47 | |
| TOP | 1/4" MPT | RVM44TN | 4.47 | RVM44TP | 4.47 | |
| TOP | 3/8" MPT | RVM66TN | 4.47 | RVM66TP | 4.47 | |
| TOP | 1/2" MPT | RVM88TN | 4.47 | RVM88TP | 4.47 | |
| TOP | 1/4" HB | RVB44TN | 5.19 | RVB44TP | 5.19 | |
| TOP | 3/8" HB | RVB66TN | 5.19 | RVB66TP | 5.19 | |
| TOP | 1/2" HB | RVB88TN | 5.19 | RVB88TP | 5.19 | |
| TOP | 1/8" FPT | RVLF22TN | 7.60 | RVLF22TP | 5.75 | |
| TOP | 1/4" FPT | RVLF44TN | 7.60 | RVLF44TP | 5.75 | |
| TOP | 3/8" FPT | RVLF66TN | 7.60 | RVLF66TP | 5.75 | |
| TOP | 1/2" FPT | RVLF88TN | 7.60 | RVLF88TP | 5.75 | |
| COMPONENT(2) | MATERIAL | TEMP MIN | COLOR | PART # | LIST/EA | |
| GASKET | BUNA | 0 F | BLACK | RVM44GB | .50 | |
| GASKET | EPDM | -40 F | RED | RVM44GE | .50 | |
| GASKET | VITON | 10 F | GREEN | RVM44GV | 1.95 | |
| COMPONENT(3) | MATERIAL | MESH* | MICRON+ | ID" x L" | PART # | LIST/EA |
| SCREEN | ST STEEL | 20 | 915 | .94 x 2.63 | RVM44520 | 2.98 |
| SCREEN | ST STEEL CAGED | 20 | 915 | " | RVM44520C | 3.40 |
| SCREEN | ST STEEL | 40 | 480 | " | RVM44540 | 2.98 |
| SCREEN | ST STEEL CAGED | 40 | 480 | " | RVM44540C | 3.40 |
| SCREEN | ST STEEL | 80 | 178 | " | RVM44580 | 3.55 |
| SCREEN | ST STEEL CAGED | 80 | 178 | " | RVM44580C | 3.40 |
| SCREEN | ST STEEL | 250 | 40 | " | RVM445250 | 15.10 |
| SCREEN | ST STEEL CAGED | 250 | 40 | " | RVM445250C | 4.57 |
| COMPONENT(4) | MATERIAL | PART # | LIST/EA | | | |
| BOWL | NYLON | RVM445BN | 8.47 | | | |
| BOWL | POLYPRO | RVM445BP | 8.12 | | | |
| BOWL | CLEAR NYLON | RVM445BC | 7.13 | | | |

*Mesh is defined as the number of wires per linear inch measured from center of wire to center of wire.

+Micron is defined as one thousandth of a millimeter.

MINI STRAINER

INTERMEDIATE STRAINER



FILTER AREA - 17.33 SQ IN

HOW TO ORDER

| | | | |
|-----------|----------|--------------------|------------|
| 1. TOP | FPT(RVF) | TAB(RVT-POLY ONLY) | |
| | 3/8"(66) | 1/2"(88) | 3/4"(1212) |
| | POLY(P) | NYLON(N) | |
| 2. GASKET | EPDM(E) | VITON(V) | BUNA(B) |
| 3. SCREEN | 20M(20) | 40M(40) | 80M(80) |
| 4. BOWL | POLY(P) | NYLON(N) | CLEAR(C) |

EXAMPLE: RVF 88 N V 40 C

POLYPRO (Standard Assembly) List/EA

\$ 17.71

1. POLY TOP (RVF)
2. EPDM GASKET(RVF66GE)
3. 20 OR 40 MESH SCREEN(RVF66_)
4. POLY BOWL(RVF66BP)

OPTIONS

- | | |
|--------------------------------------|----------|
| 1. TAB TOP (RVT) | add .98 |
| 2. BUNA GASKET (RVF66GB) | add .41 |
| 2. VITON GASKET (RVF66GV) | add 3.48 |
| 3. 80 MESH SCREEN (RVF6680S) | add .87 |
| 3. 20,40, OR 80 MESH CAGED SCREEN | add .26 |
| 3. 100 MESH SCREEN (RVF66100) | add 2.22 |
| 3. 250 MESH CAGED SCREEN (RVF66250C) | add 2.94 |
| 3. CAGED POLY SCREEN (RVF66_P) | add 5.20 |
| 4. CLEAR NYLON BOWL (RVF66BC) | add 8.42 |

NYLON (Standard Assembly) List/EA

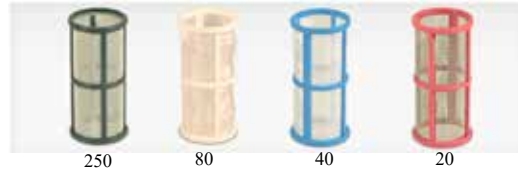
\$ 24.85

1. NYLON TOP (RVF)
2. EPDM OR BUNA GASKET(RVF66GB OR E)
3. 20 OR 40 MESH SCREEN(RVF66_)
4. NYLON BOWL (RVF66BN)

OPTIONS

- | | |
|--------------------------------------|----------|
| 2. BUNA GASKET (RVF66GB) | add .41 |
| 2. VITON GASKET (RVF66GV) | add 3.48 |
| 3. 80 MESH SCREEN (RVF6680S) | add .87 |
| 3. 20, 40, OR 80 MESH CAGED SCREEN | add .26 |
| 3. 100 MESH SCREEN (RVF66100) | add 2.22 |
| 3. 250 MESH CAGED SCREEN (RVF66250C) | add 2.94 |
| 4. CLEAR NYLON BOWL (RVF66BC) | add 5.90 |

CAGED SCREENS (MESH)

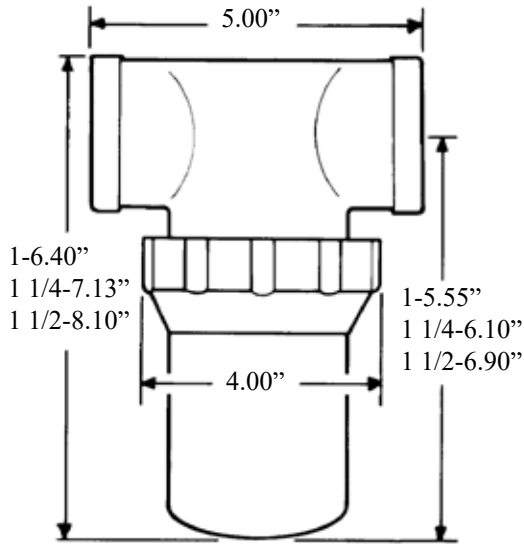


INTERMEDIATE STRAINER PARTS



| COMPONENT(1) | SIZE/PORT | NYLON # | PRICE | POLYPRO # | LIST/EA | |
|---|--------------|------------|---------|-------------|-----------|---------|
| TOP | 3/8" FPT | RVF66TN | 10.89 | RVF66TPN | 6.27 | |
| TOP | 1/2" FPT | RVF88TN | 10.89 | RVF88TPN | 6.27 | |
| TOP | 3/4" FPT | RVF1212TN | 10.89 | RVF1212TPN | 6.27 | |
| TOP | 1" FPT | RVF1616TN* | 10.89 | RVF1616TP* | 6.27 | |
| TOP | 3/8" FPT TAB | | | RVT66TP | 7.25 | |
| TOP | 1/2" FPT TAB | | | RVT88TP | 7.25 | |
| TOP | 3/4" FPT TAB | | | RVT1212TP | 7.25 | |
| COMPONENT(2) | MATERIAL | TEMP MIN | COLOR | PART # | LIST/EA | |
| GASKET | BUNA | 0 F | BLACK | RVF66GB | 1.08 | |
| GASKET | EPDM | -40 F | RED | RVF66GE | .67 | |
| GASKET | VITON | 10 F | GREEN | RVF66GV | 4.12 | |
| COMPONENT(3) | MATERIAL | MESH* | MICRON+ | ID" x L" | PART # | LIST/EA |
| SCREEN | ST STEEL | 20 | 915 | 1.49 x 3.75 | RVF6620S | 4.00 |
| SCREEN | ST STEEL | 40 | 480 | " | RVF6640S | 4.00 |
| SCREEN | ST STEEL | 80 | 178 | " | RVF6680S | 4.87 |
| SCREEN | ST STEEL | 100 | 80 | " | RVF66100 | 6.22 |
| SCREEN | ST STEEL | 250 | 40 | " | RVF66250 | 18.94 |
| SCREEN | POLYETHYLENE | | 90 | 1.00 x 3.52 | RVF6690PE | 7.35 |
| SCREEN | CAGED ST | 20 | 915 | 1.49 x 3.75 | RVF6620C | 4.26 |
| SCREEN | CAGED ST | 40 | 480 | " | RVF6640C | 4.26 |
| SCREEN | CAGED ST | 80 | 178 | " | RVF6680C | 4.26 |
| SCREEN | CAGED ST | 250 | 40 | " | RVF66250C | 6.94 |
| SCREEN | CAGED POLY | 20 | 915 | " | RVF6620P | 8.95 |
| SCREEN | CAGED POLY | 40 | 480 | " | RVF6640P | 9.20 |
| SCREEN | CAGED POLY | 80 | 178 | " | RVF6680P | 9.20 |
| *Mesh is defined as the number of wires per linear inch measured from center of wire to center of wire. | | | | | | |
| +Micron is defined as one thousandth of a millimeter | | | | | | |
| COMPONENT(4) | MATERIAL | COLOR | PART # | LIST/EA | | |
| BOWL | NYLON | WHITE | RVF66BN | 9.30 | | |
| BOWL | POLYPRO | BLACK | RVF66BP | 6.78 | | |
| BOWL | CLEAR NYLON | CLEAR | RVF66BC | 15.20 | | |

LARGE STRAINER



FILTER AREA:

1" - 29.73 SQ IN
 1 1/4" - 31.84 SQ IN
 1 1/2" - 38.27 SQ IN

HOW TO ORDER

1. TOP FPT=RVF
 1=1616 1 1/4=2020 1 1/2=2424
 POLY=P NYLON=N
 2.GASKET EPDM=E VITON=V BUNA=B
 3.SCREEN 20M=20 40M=40 80M=80
 4.BOWL POLY=P NYLON=N CLEAR=C

EXAMPLE: RVF 1616 N V 40 N

PLEASE NOTE: ALL LARGE STRAINERS
 USE THE SAME GASKET & BOWL

POLYPRO (Std Assembly)

List/EA

1. POLY TOP 1" \$ 34.45
2. EPDM OR BUNA GASKET 1 1/4" \$ 35.06
3. 20 OR 40 MESH SCREEN 1 1/2" \$ 35.58
4. POLY BOWL(RVF1616BP)

OPTIONS

2. VITON GASKET (RVF1616GV) add 4.57
3. 20, 40, OR 80 MESH CAGED SCREEN (1") add 2.68
3. 20, 40, OR 80 MESH CAGED SCREEN (1 1/4") add 2.32
3. 20, 40, OR 80 MESH CAGED SCREEN (1 1/2") add 2.05
4. CLEAR NYLON BOWL (RVF1616BC) add 16.79

NYLON (Std Assembly)

List/EA

1. NYLON TOP 1" \$ 47.80
2. EPDM OR BUNA GASKET 1 1/4" \$ 48.42
3. 20 OR 40 MESH SCREEN 1 1/2" \$ 48.92
4. NYLON BOWL(RVF1616BN)

OPTIONS

2. VITON GASKET (RVF1616GV) add 4.57
3. 20, 40, OR 80 MESH CAGED SCREEN (1") add 2.68
3. 20, 40, OR 80 MESH CAGED SCREEN (1 1/4") add 2.32
3. 20, 40, OR 80 MESH CAGED SCREEN (1/12") add 2.05
4. CLEAR NYLON BOWL (RVF1616BC) add 9.54

CAGED SCREENS (MESH)



LARGE STRAINER PARTS



| COMPONENT(1) | SIZE/PORT | NYLON # | PRICE | POLYPRO # | LIST/EA | |
|---|----------------|-----------|-----------|-------------|------------|---------|
| TOP | 1" FPT | RVF1616TN | 22.90 | RVF1616TP | 16.79 | |
| TOP | 1 1/4" FPT | RVF2020TN | 22.90 | RVF2020TP | 16.79 | |
| TOP | 1 1/2" FPT | RVF2424TN | 22.90 | RVF2424TP | 16.79 | |
| COMPONENT(2) | MATERIAL | TEMP MIN | COLOR | PART # | LIST/EA | |
| GASKET | BUNA | 0 F | BLACK | RVF1616GB | 1.03 | |
| GASKET | EPDM | -40 F | RED | RVF1616GE | 1.03 | |
| GASKET | VITON | 10 F | GREEN | RVF1616GV | 5.60 | |
| COMPONENT(3) | MATERIAL | MESH* | MICRON+ | ID" x L" | PART # | LIST/EA |
| SCREEN-1" | ST STEEL | 20 | 915 | 2.24 x 4.24 | RVF161620 | 5.49 |
| SCREEN-1" | ST STEEL CAGED | 20 | 915 | " | RVF161620C | 8.17 |
| SCREEN-1" | ST STEEL | 40 | 480 | " | RVF161640 | 5.49 |
| SCREEN-1" | ST STEEL CAGED | 40 | 480 | " | RVF161640C | 8.17 |
| SCREEN-1" | ST STEEL CAGED | 80 | 178 | " | RVF161680C | 8.17 |
| SCREEN-1 1/4" | ST STEEL | 20 | 915 | 2.24 x 4.54 | RVF202020 | 6.11 |
| SCREEN-1 1/4" | ST STEEL CAGED | 20 | 915 | " | RVF202020C | 8.43 |
| SCREEN-1 1/4" | ST STEEL | 40 | 480 | " | RVF202040 | 6.11 |
| SCREEN-1 1/4" | ST STEEL CAGED | 40 | 480 | " | RVF202040C | 8.43 |
| SCREEN-1 1/4" | ST STEEL CAGED | 80 | 178 | " | RVF202080C | 8.43 |
| SCREEN-1 1/2" | ST STEEL | 20 | 915 | 2.24 x 5.45 | RVF242420 | 6.63 |
| SCREEN-1 1/2" | ST STEEL CAGED | 20 | 915 | " | RVF242420C | 8.68 |
| SCREEN-1 1/2" | ST STEEL | 40 | 480 | " | RVF242440 | 6.63 |
| SCREEN-1 1/2" | ST STEEL CAGED | 40 | 480 | " | RVF242440C | 8.68 |
| SCREEN-1 1/2" | ST STEEL CAGED | 80 | 178 | " | RVF242480C | 8.68 |
| *Mesh is defined as the number of wires per linear inch measured from center of wire to center of wire. | | | | | | |
| +Micron is defined as one thousandth of a millimeter | | | | | | |
| COMPONENT(4) | MATERIAL | COLOR | PART # | LIST/EA | | |
| BOWL | NYLON | WHITE | RVF1616BN | 18.39 | | |
| BOWL | POLYPRO | BLACK | RVF1616BP | 11.14 | | |
| BOWL | CLEAR NYLON | CLEAR | RVF1616BC | 27.93 | | |



SUCTION LINE STRAINERS
 MOLDED PVC BASE
 ST. STEEL SCREENS

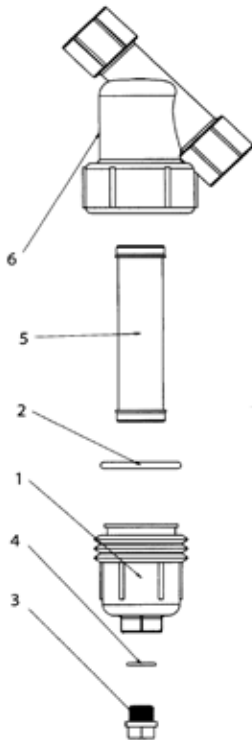
| <i>Fpt</i> | <i>Mesh</i> | <i>Part #</i> | <i>List/E</i> |
|------------|-------------|---------------|---------------|
| 1/4 | 20 | RV663-20 | 5.71 |
| 1/4 | 40 | RV663 | 5.71 |
| 1/4 | 80 | RV663-80 | 6.23 |
| 1/4 | 100 | RV663-100 | 6.23 |
| 3/8 | 40 | RV6631 | 6.29 |
| 3/8 | 80 | RV6631-80 | 6.29 |
| 1/2 | 40 | RV6632 | 7.51 |
| 1/2 | 80 | RV6632-80 | 7.51 |
| 3/4 | 40 | RV6633 | 8.21 |
| 1 | 40 | RV6634 | 11.93 |
| 1 1/2 | 40 | RV6636 | 14.09 |



Y STRAINERS
 POLYPROPYLENE BODY
 EPDM GASKET
 (VITON AVAILABLE)
 ST. STEEL SCREENS
 FPT THREADS

| <i>Fpt</i> | <i>Part #</i> | <i>List/E</i> |
|------------|---------------|---------------|
| 1/2 | YST88PE_P | 75.83 |
| 3/4 | YST1212PE_P | 75.83 |
| 1 | YST1616PE_P | 75.83 |
| 1 1/4 | YST2020PE_P | 75.78 |
| 1 1/2 | YST2424PE_P | 155.89 |
| 2 | YST3232PE_P | 155.89 |
| 3 | YST4848PE_P | 1038.75 |

Please specify screen when ordering. See parts list below for sizes.



Y STRAINER PARTS

| COMPONENT(1,2,6) | | SIZE | | | PART # | LIST/E |
|------------------------------|----------|-------------|-------------|---------------|---------------|---------------|
| BODY, CAP & EPDM GASKET | | 1/2 | | | YST88-B/C | 34.11 |
| BODY, CAP & EPDM GASKET | | 3/4 | | | YST1212-B/C | 38.45 |
| BODY, CAP & EPDM GASKET | | 1 | | | YST1616-B/C | 38.45 |
| BODY, CAP & EPDM GASKET | | 1 1/4 | | | YST2020-B/C | 38.45 |
| BODY, CAP & EPDM GASKET | | 1 1/2 | | | YST2424-B/C | 86.17 |
| BODY, CAP & EPDM GASKET | | 2 | | | YST3232-B/C | 86.17 |
| BODY, CAP & EPDM GASKET | | 3 | | | YST4848-B/C | 773.95 |
| COMPONENT(2) MATERIAL | | SIZE | | | PART # | LIST/E |
| GASKET | VITON | 1/2 & 3/4 | | | YST88-GV | 12.31 |
| GASKET | VITON | 1 & 1 1/4 | | | YST1616-GV | 14.16 |
| GASKET | VITON | 1 1/2 & 2 | | | YST2424-GV | 28.47 |
| GASKET | VITON | 3 | | | YST4848-GV | 73.50 |
| COMPONENT(5) MAT | | SIZE | MESH | MICRON | PART # | LIST/E |
| SCREEN | ST STEEL | 1/2 & 3/4 | 20 | 841 | YST188-20 | 49.99 |
| SCREEN | " | " | 40 | 446 | YST88-40 | 45.39 |
| SCREEN | " | " | 80 | 177 | YST88-80 | 49.99 |
| SCREEN | ST STEEL | 1 & 1 1/4 | 20 | 841 | YST1616-20 | 49.99 |
| SCREEN | " | " | 40 | 446 | YST1616-40 | 49.99 |
| SCREEN | " | " | 80 | 177 | YST1616-80 | 45.39 |
| SCREEN | ST STEEL | 1 1/2 & 2 | 6 | 3360 | YST3232-6 | 98.91 |
| SCREEN | " | " | 8 | 2380 | YST3232-8 | 96.29 |
| SCREEN | " | " | 12 | 1680 | YST3232-12 | 89.90 |
| SCREEN | " | " | 20 | 841 | YST3232-20 | 89.90 |
| SCREEN | " | " | 30 | 595 | YST3232-30 | 89.90 |
| SCREEN | " | " | 50 | 297 | YST3232-50 | 89.90 |
| SCREEN | " | " | 80 | 177 | YST3232-80 | 89.90 |
| SCREEN | " | " | 120 | 116 | YST3232-120 | 98.91 |
| SCREEN | POLYPRO | " | 20 | 841 | YST3232-20P | 89.90 |
| SCREEN | POLYPRO | " | 50 | 297 | YST3232-50P | 89.90 |
| SCREEN | ST STEEL | 3 | 4 | | YST4848-4 | 297.70 |
| SCREEN | " | " | 8 | 2380 | YST4848-8 | 297.70 |
| SCREEN | " | " | 12 | 1680 | YST4848-12 | 297.70 |
| SCREEN | " | " | 20 | 841 | YST4848-20 | 270.64 |
| SCREEN | " | " | 50 | 297 | YST4848-50 | 270.64 |