

PUMPS

PUMP#	VOLTS	GPM/PSI	STYLE	VALVES	DIAPHRAGM	LIST/EA
8000543236	12V	1.8/60	SWITCH	VITON	SANTOPRENE	294.89
8007543836	12V	1.8/60	SW/FUSE	VITON	SANTOPRENE	332.64
8006543250	12V	1.8/45	BYPASS	VITON	SANTOPRENE	295.55
8006591250	12V	.18/45	BYPASS	VITON	SANTOPRENE	294.34
8005233236	115V	1.4/60	SWITCH	EPDM	SANTOPRENE	404.38
8000933250	115V	1.4/45	BYPASS	EPDM	SANTOPRENE	404.38
2088343135	12V	3.0/45	SWITCH	VITON	SANTOPRENE	378.64
2088514144	12V	4.0/45	SWITCH	SANTO	SANTOPRENE	530.98
2088514500	12V	4.0/45	BYPASS	SANTO	SANTOPRENE	497.66
2088594154	115V	3.3/45	SWITCH	SANTO	SANTOPRENE	423.15
50591311D011	12V	5.3/60	SWITCH	VITON	SANTOPRENE	566.72
50593611D011	12V	5.3/60	BYPASS	VITON	SANTOPRENE	566.72
DHP2	12V	7.0/45	SWITCH	VITON	SANTOPRENE	938.21

8000
SERIES

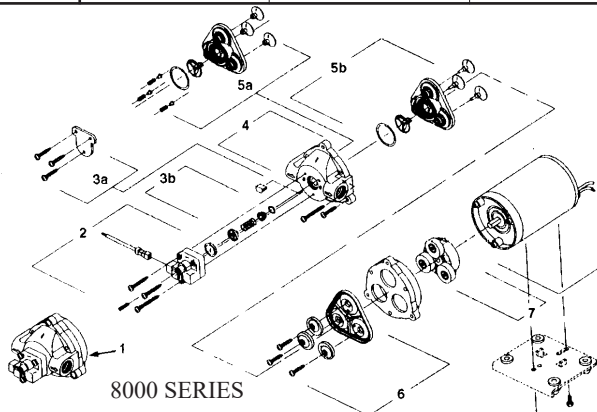


2088
SERIES

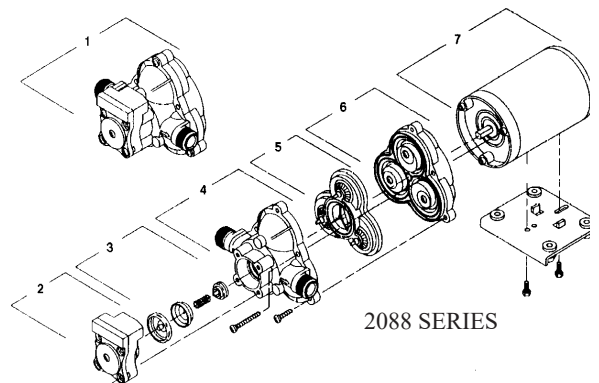


REPLACEMENT PARTS

PUMP#	SWITCH KIT(2)		CHECK VALVE(3)		HOUSING(4)		VALVES-VITON(5)		VALVES-EPDM(5)		DIAPHRAGM(6)	
	PART#	LIST	PART#	LIST	PART#	LIST	PART#	LIST	PART#	LIST	PART#	LIST
8000543236	9437505	84.09	9437405	30.51	9437900	51.57	9439005	101.11	9439006	49.36	9439506	50.94
8007543236	9437505	84.09	9437405	30.51	9437900	51.57	9439005	101.11	9439006	49.36	9439506	50.94
8005233236	9437505	84.09	9437405	30.51	9437900	51.57	9439005	101.11	9439006	49.36	9439506	50.94
8006543250			9437405	30.51	9437900	51.57	9439109	124.64	9439106	60.13	9439506	50.94
8006591250			9437405	30.51	9437900	51.57	9439109	124.64	9439106	60.13	9439506	50.94
8000933250			9437405	30.51	9437900	51.57	9439109	124.64	9439106	60.13	9439506	50.94
2088343135	9423055	82.34	9423705	60.04	9423130	38.98	9423205	132.47			9423803	90.89
2088514144	9423055	82.34	9423705	60.04	9423130	38.98	9423205	132.47			9423803	90.89
2088594154	9423055	82.34	9423705	60.04	9423130	38.98	9423205	132.47			9423803	90.89
2088514500			9423705	60.04	9423130	38.98	9423205	132.47			9423803	90.89



8000 SERIES



2088 SERIES



SWIVEL-STRAIGHT

HB	Part #	List
3/8	807100	3.00
1/2	807000	2.83
5/8	815401	5.79
3/4	815601	3.45

SWIVEL-ELBOW

HB	Part #	List
3/8	806000	2.83
1/2	803400	2.83
5/8	815501	4.94
3/4	815701	3.45



**GAUGES
1/4" LM
BRASS
INTERNALS**

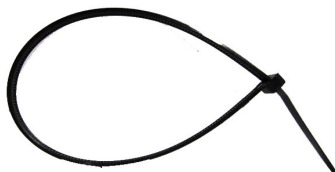
<i>Psi</i>	<i>Size</i>	<i>Dry #</i>	<i>List/E</i>	<i>Liq #</i>	<i>List/E</i>	<i>NH3#</i>	<i>List/E</i>
0-15	2 1/2	SG15	15.75	GG15	40.17		
0-30	2 1/2	SG30	15.75	GG30	40.17		
0-60	2 1/2	SG60	15.75	GG60	40.17	AG60	39.80
0-100	2 1/2	SG100	15.75	GG100	40.17		
0-160	2 1/2	SG160	15.75	GG160	40.17	AG160	39.80
0-200	2 1/2	SG200	15.75	GG200	40.17		
0-300	2 1/2	SG300	15.75	GG300	40.17		
0-400	2 1/2	SG400	15.75	GG400	40.17	AG400	39.80
0-600	2 1/2	SG600	15.75	GG600	40.17		
0-1000	2 1/2	SG1000	15.75	GG1000	40.17		
0-2000	2 1/2	SG2000	15.75	GG2000	40.17		
0-3000	2 1/2	SG3000	15.75	GG3000	40.17		
0-5000	2 1/2	SG5000	15.75	GG5000	40.17		
0-60	4	SG604	30.74	GG604	124.49		
0-100	4	SG1004	30.74	GG1004	124.49		
0-200	4	SG2004	30.74	GG2004	124.49		
Pigtail Protector		PGP	64.80				



BULKHEAD FITTINGS

<i>Fpt</i>	<i>Hole</i>	<i>Part#</i>	<i>List/E</i>	<i>Gasket</i>	<i>List/E</i>
1/2	1 3/8	BF8	20.24	BF8G	5.89
3/4	1 3/8	BF12	20.24	BF8G	5.89
1	1 3/4	BF16	26.35	BF16G	8.00
1 1/4	2	BF20	18.95	BF20G	8.37
1 1/2	3	BF24	39.57	BF24G	17.38
2	3	BF32	38.10	BF24G	17.38
3	4 1/2	BF48	94.21	BF48G	20.42

20% GLASS FILLED POLYPROPYLENE WITH SANTROPENE GASKET



**NYLON
TIE STRAPS
BLACK UV
RESISTANT**

<i>Length</i>	<i>Width</i>	<i>Part#</i>	<i>List/E</i>
3 3/4	.090	NS4BUV	.10
6	.135	NS6BUV	.11
8 1/4	.135	NS8BUV	.30
11 1/4	.190	NS12BUV	.53
14 1/4	.190	NS14BUV	1.07
17 1/2	.310	NS17BUV	1.49
21 1/2	.310	NS21BUV	1.71
28	.310	NS28BUV	2.05
36 1/2	.360	NS36BUV	2.53



EZT024

<i>Desc</i>	<i>Part#</i>	<i>List/E</i>
16 Gal	EZT016	553.05
24 Gal	EZT024	587.40

16 & 24 Gallon tank designed for ATV's
Wrap-around design allows for a low CG
Complete drainage from twin sumps
Easy mounting & dismounting of sprayer
because controls and booms are mounted to tank,
not ATV rack



**WORM DRIVE
CLAMPS**
(All St Steel)



**T-BOLT
CLAMPS**
(St. Steel
Band & Bolt)



**PLASTIC
CLAMPS**
-Black Nylon
-Double Teeth

Max"	Min"	Part#	List/E	Max"	Min"	Part#	List/E	Max"	Min"	Part#	List/E				
5/8	7/32	SSC4	2.12	1.87	1.62	TSSC20	17.38	.276	.220	SCA	.66				
11/16	7/16	SSC5	2.10	2.06	1.81	TSSC24	15.96	.323	.256	SCAA	.66				
7/8	5/16	SSC6	2.10	2.18	1.93	TSSC24A	17.54	.433	.358	SCBB	.73				
1	7/16	SSC8	2.95	2.50	2.18	TSSC32	16.42	.500	.413	SCC	.75				
NOTE: Above have 5/16" band				2.62	2.31	TSSC32A	17.13	.583	.480	SCD	.78				
				2.81	2.50	TSSC32B	18.38	.646	.524	SCE	.91				
				3.18	2.87	TSSC32C	18.38	.717	.594	SCF	.91				
				3.62	3.31	TSSC48	17.83	.795	.673	SCG	.87				
1	7/16	SSC8-HD	2.65	3.75	3.43	TSSC48A	17.83	.870	.732	SCH	.88				
1 1/4	9/16	SSC12	2.95	4.56	4.25	TSSC64	22.50	.949	.803	SCJ	.94				
1 1/2	11/16	SSC16	3.06	4.76	4.38	TSSC64A	37.20	1.031	.886	SCK	1.23				
1 3/4	3/4	SSC20	3.16	4.94	4.56	TSSC64B	37.20	1.130	.976	SCL	1.15				
2	1 1/16	SSC24	3.40	MEASURE OUTSIDE DIAMETER OF HOSE FOR PROPER CLAMP SIZE								1.220	1.055	SCM	1.11
2 1/4	1 5/16	SSC28	3.43									1.437	1.283	SCP	1.89
2 1/2	1 9/16	SSC32	3.65									1.551	1.382	SCQ	2.09
2 3/4	1 13/16	SSC36	3.80												
3	2 1/6	SSC40	4.02												
3 1/2	2 9/16	SSC48	5.36												
4 1/2	2 1/2	SSC64	6.49												
NOTE: Above have 1/2" band															
5	3	SSC72	6.83												
5 1/2	3 1/2	SSC80	7.18												

CLAMPS / STRAPS

EVA TUBING				CLEAR VINYL TUBING (CVTB=Braided)				EPDM RUBBER HOSE			
Id	Ft/Roll	Part#	List/Ft	Id	Ft/Roll	Part#	List/Ft	Id	Ft/Roll	Part#	List/Ft
1/4	1000	EVA44	1.33	1/4	100	CVT44	1.10	1/4	700	SB44	1.55
3/8	500	EVA66	1.69	3/8	100	CVT66	1.34	3/8	700	SB66	1.52
1/2	300	EVA88	2.09	1/2	100	CVT88	1.67	1/2	700	SB88	1.95
5/8	200	EVA1010	2.66	5/8	100	CVT1010	2.01	3/4	700	SB1212	3.71
3/4	200	EVA1212	2.94	3/4	100	CVT1212	2.34				
1	125	EVA1616	4.39	1	100	CVT1616	3.01	3/8	700	TB66	3.00
NOTE: All have 1/8" wall thickness				1/4	300	CVTB44	1.36	1/2	700	TB88	4.14
3/8	300	EVAR6	2.12	3/8	300	CVTB66	1.83	5/8	700	TB1010	3.24
1/2	300	EVAR8	2.65	1/2	300	CVTB88	2.11	3/4	700	TB1212	5.52
3/4	200	EVAR12	3.70	5/8	300	CVTB1010	CALL	TB-Double Braid-300 PSI Rating			
1	200	EVAR16	6.08	3/4	300	CVTB1212	4.08				
Reinforced EVA				1	200	CVTB1616	5.78				

SEALANTS								
Teflon Tape	Part#	List/E	Liq Tef	Part#	List/E	Rectorseal	Part#	List/E
1/4 X 520	1452	2.10	2oz	LT2	13.77	8oz	RSTB	57.10
1/2 X 260	1226	1.86	4oz	LT4	26.14	2oz	RSTB-2	18.71
1/2 X 520	1252	2.44	8oz	LT8	45.55	8oz	RS-21	60.31
3/4 X 520	3452	3.74						